

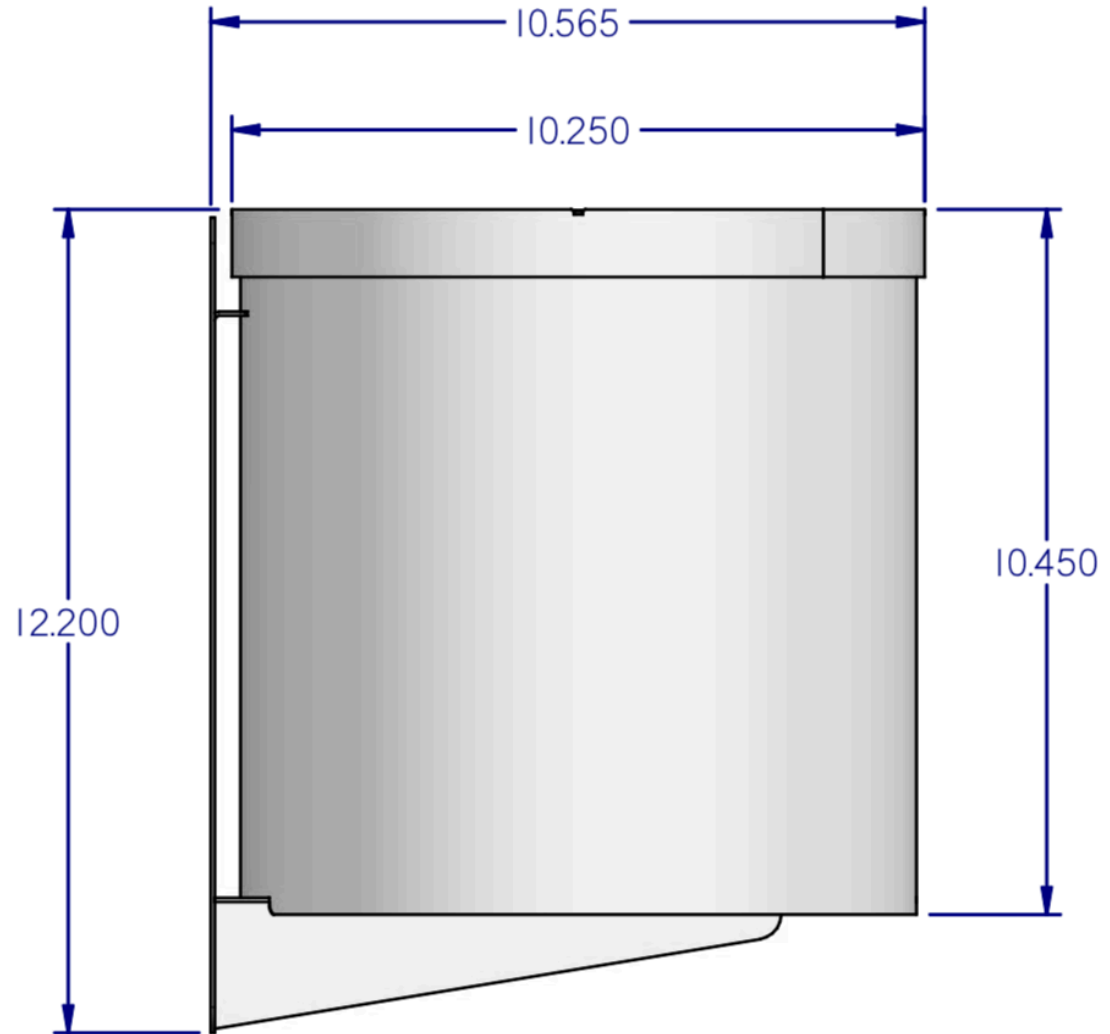
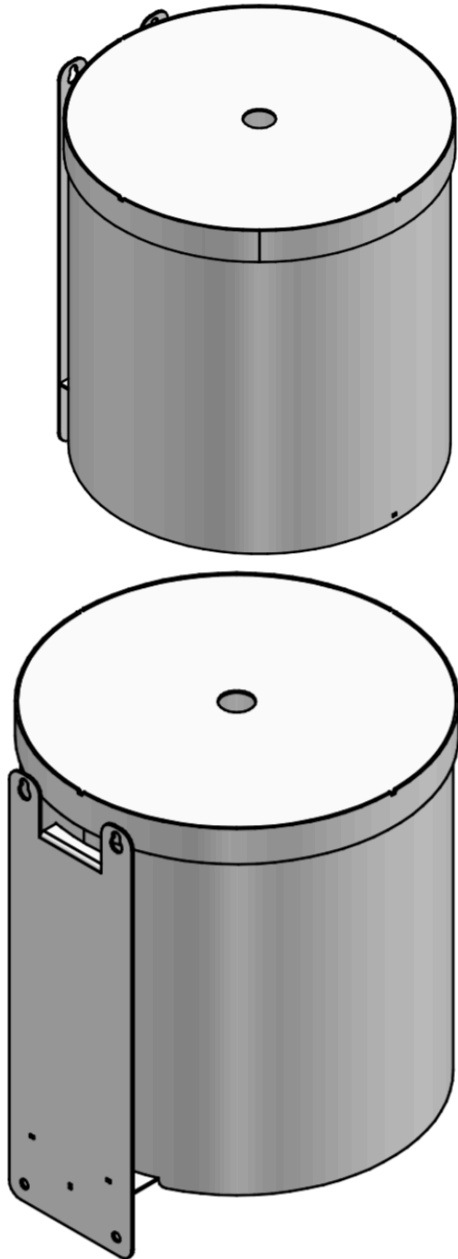


2XL Corporation
7550 Industrial Drive
Forest Park, IL 60130-2516

Toll-Free (888) 977-3726
Phone (708) 344-4090
Fax (708) 344-4095

Email info@2xlcorp.com
Web www.2xlcorp.com

2XL-70 Schematic, all measurements are in inches.



2XL Corporation
7550 Industrial Drive
Forest Park, IL 60130-2516

Toll-Free (888) 977-3726
Phone (708) 344-4090
Fax (708) 344-4095

Email info@2xlcorp.com
Web www.2xlcorp.com

Rear bracket measures
12" high x 4" wide"
overall

