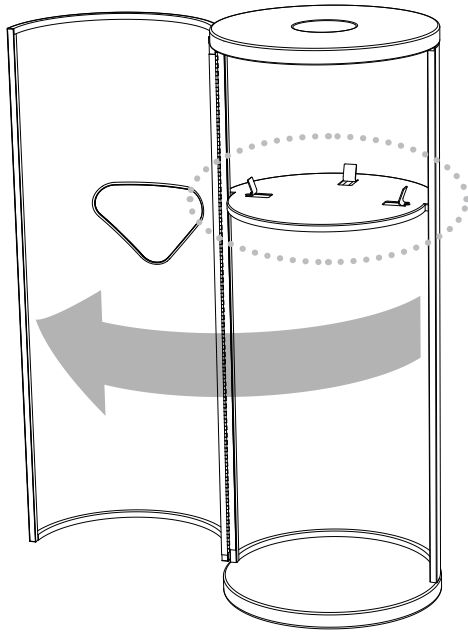
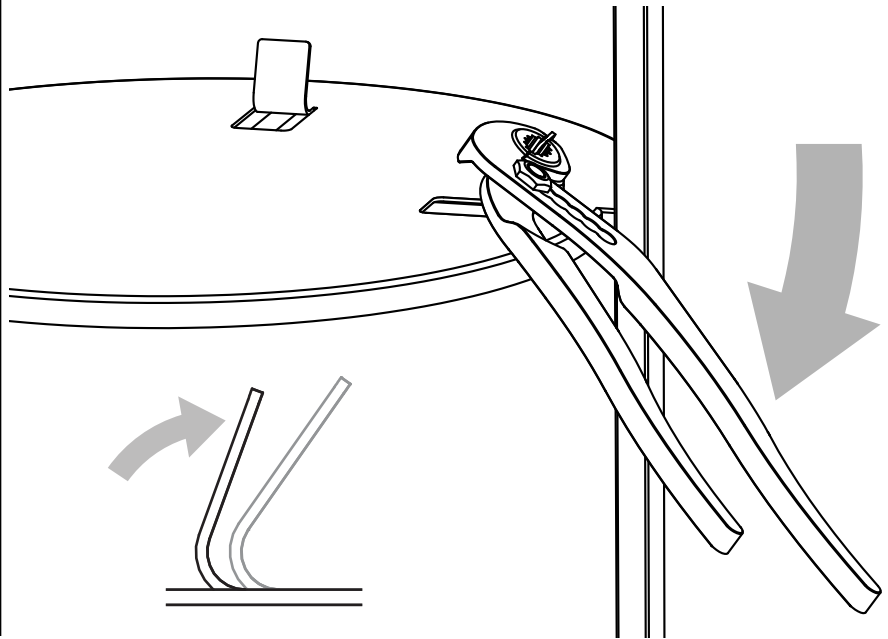


Internal Tab Adjustment

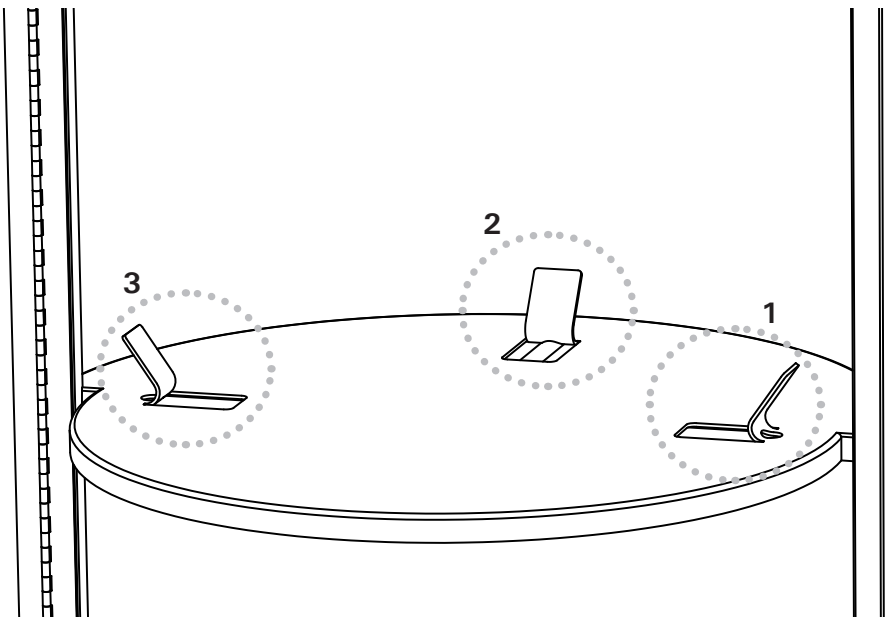
1 Swing open the door to reveal the internal tabs.



2 Adjust the retaining tabs with a pair of pliers.



3 Repeat the process so that all three retaining tabs have been bent back uniformly.



4 Adjustable tabs (as needed): Adjustments can be made to accommodate any size bucket.

